

PMB 8 SP / CP

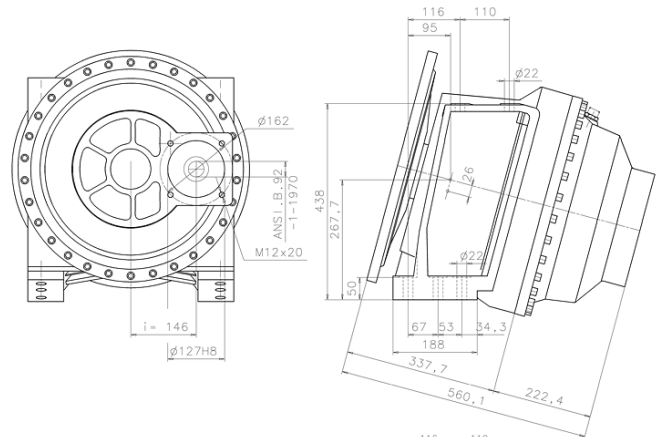
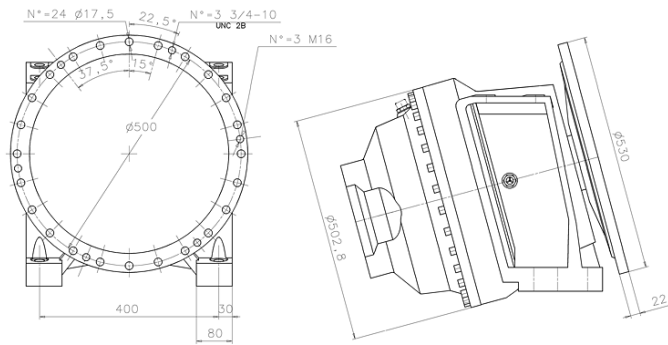


Technical Data

	PMB 8 SP (without water pump connection)	PMB 8 CP (with water pump connection)
Maximum Output Torque	80.000 Nm	80.000 Nm
Reduction Ratio	1 : 139.6 or 1 : 149.4	1 : 139.6
Maximum Input Speed	2.500 rpm	2.500 rpm
Weight	367 kg	376 kg
Oil Quantity	17 l	17 l
Oil type	SAE 85W90 / EP4 or EP5	SAE 85W90 / EP4 or EP5
Maximum flange misalignment	+/- 6°	+/- 6°
Drum capacity	12 - 16 m ³	12 - 16 m ³

Technical Drawing

PMB 8 SP



PMB 8 CP

